

T100 - Process Volume Capacity 100 Litres Per Cycle



The Sustainable & Proven Treatment Solution for
Infectious, Biomedical Waste

Technical Specifications

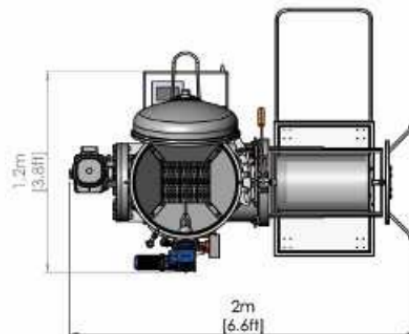
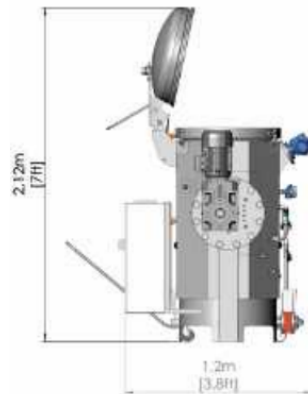
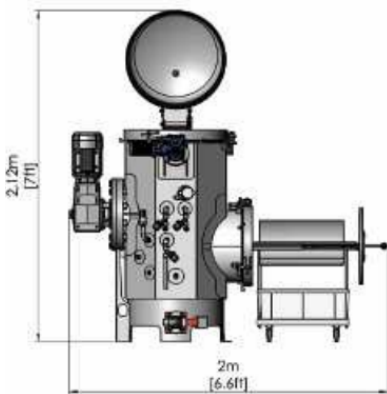
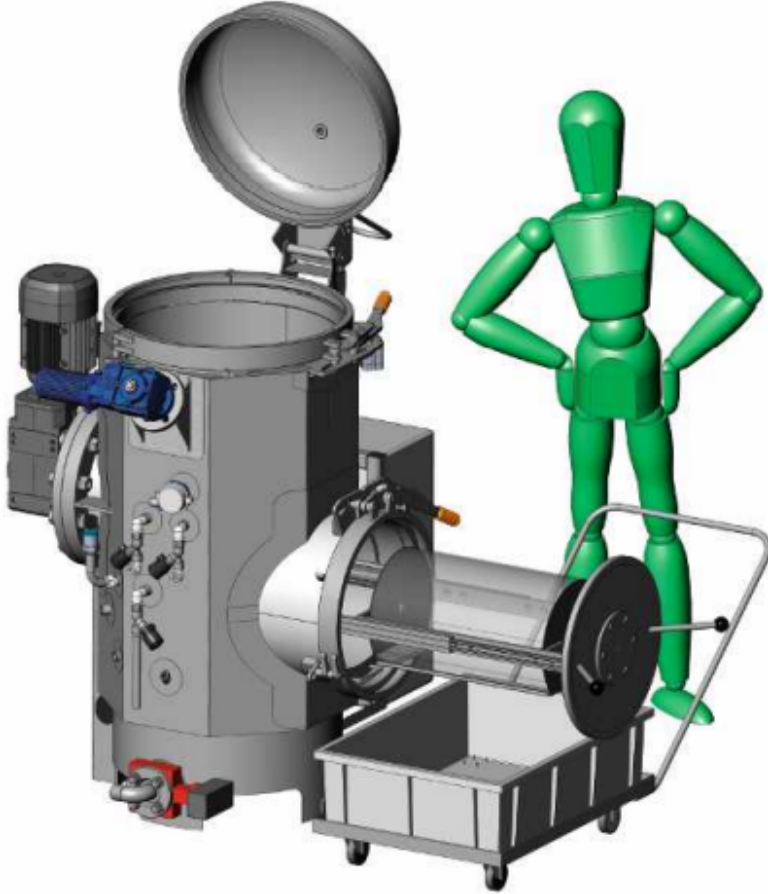
Dimensions (L x W x H)	200 x 120 x 212 cm 6,6 x 3,8 x 7 ft
Shipping Weight	635 kg
Max weight when filled with water For a special hydraulic test.	780 kg
Stress	0,1 kg/cm ²
Steam Pressure	8 bar
Max Steam Flow	35 kg/h
Compressed Air	6 bar
Electricity 380 V / 3-Phase	5 kW

Operating Characteristics

Average Cycle Time	30 minutes
Process Volume Capacity	100 liters
Average Waste Density	100 - 150 kg/m ³
Average Process Weight Capacity	10 - 15 kg/cycle 22 - 33 lb/cycle
Microbial Inactivation	10 ⁸
Waste Volume Reduction	80%

Consumption/Cycle

Steam	6 kg
Electricity	0,55 kWh
Water	5 liters



G&N Laboratory

Maydwell Avenue, off Stane Street,
Slinfold, Horsham, West Sussex
RH13 0GN
+44 (0) 1403 799190
medsales@gandn.com



Call us Now on 07795 385273 to take
control of your waste

